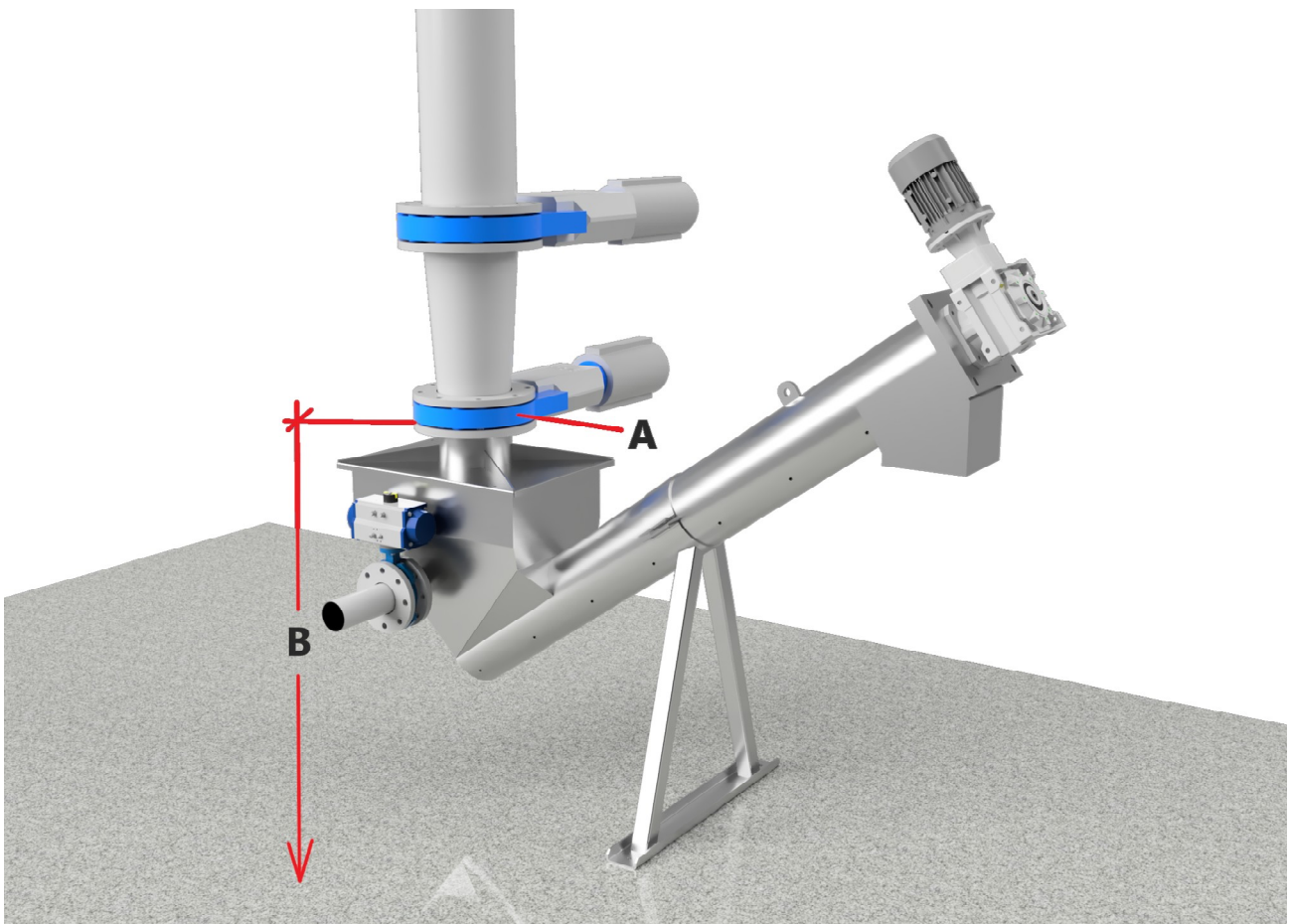


SEPARSAND SS 100



1. SOURCE OF THE WATER TO BE TREATED

2. FLOW RATE TO BE TREATED m³/h

3. CONTINUOUS OR DISCONTINUOUS FLOW

4. VALVE DIAMETER (A)

5. DISTANCE BETWEEN THE VALVE AND GROUND FLOOR (B)