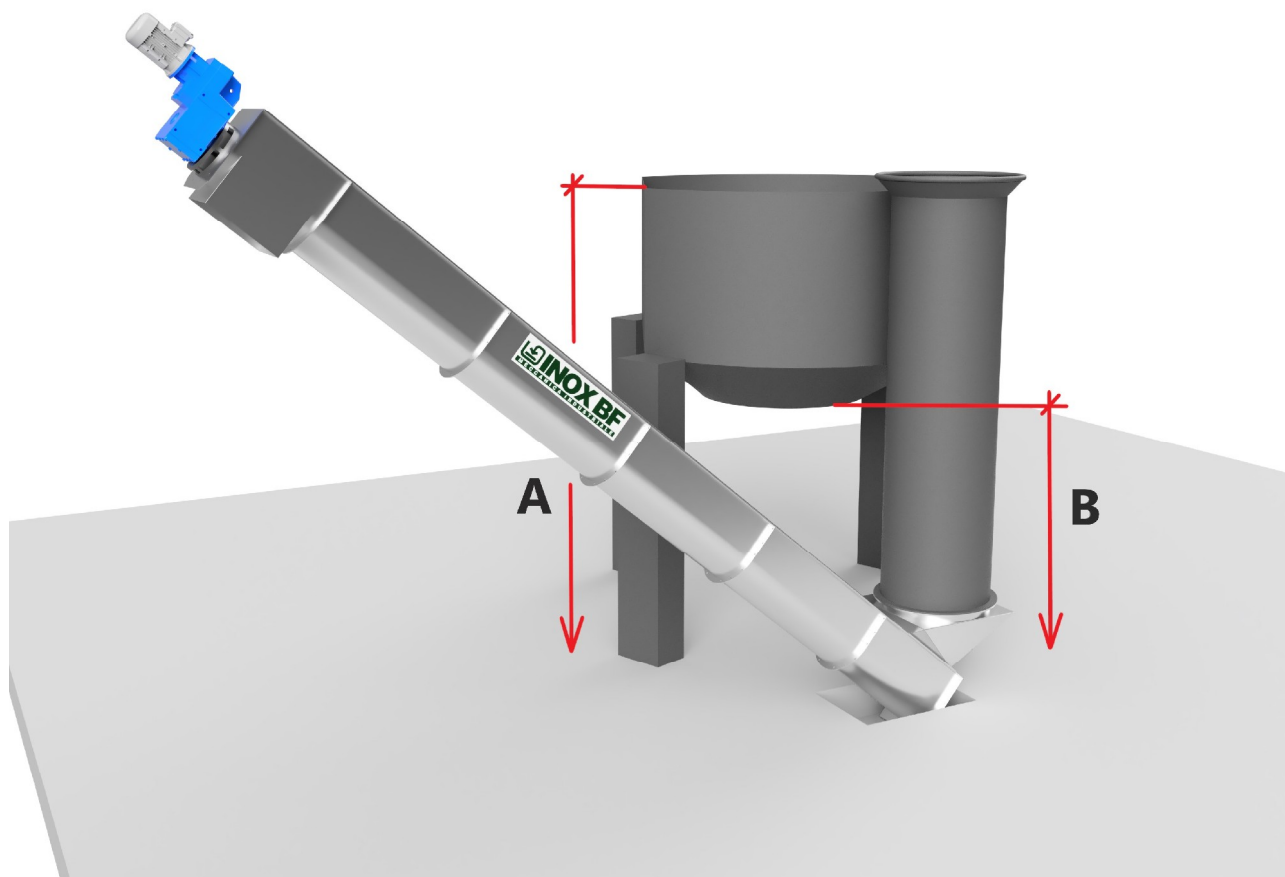


ECOVIS 600T-EF



1. TOWER DIAMETER (TRASHWELL)

2. LEVEL HEIGHT FROM THE GROUND FLOOR (A)

3. HEIGHT GRID PULPER FROM THE GROUND FLOOR (B)