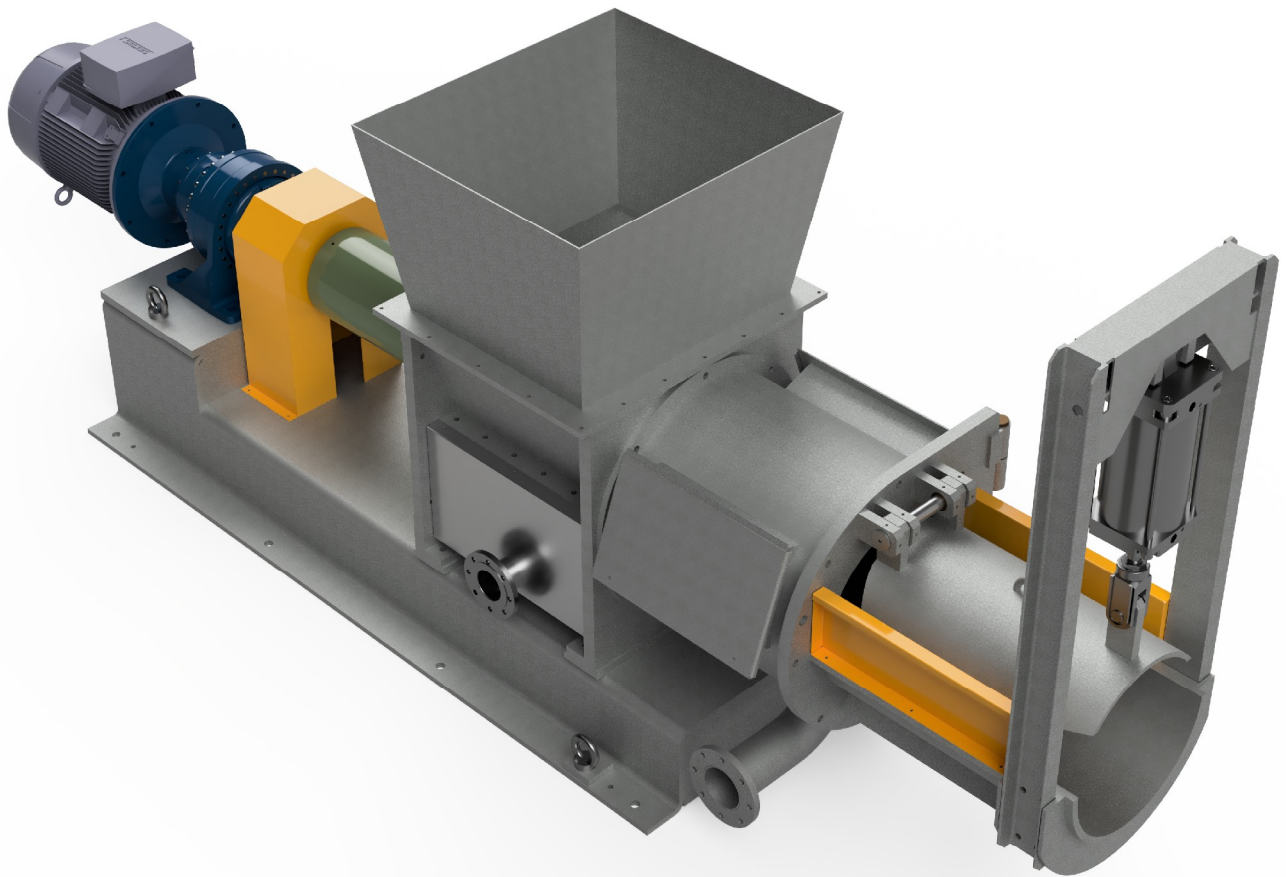


ECOREJECT ER-500



1. WASTE INCOMING

2. WASTE QUANTITY (T/DAY)

3. TYPE OF WASTE TO BE TREATED